

**DAM BUSTER**

# Achieve Compliance with Dam Buster Rainheads

**NOTE:** All Dam Buster® products are protected by comprehensive Australian and International Patents.



An Australian invented, fully engineered and tested 'next generation' product which is simply the best rainhead available anywhere in the world. Fully compliant with all volumes of the NCC. Refer to website for compliance methods.

Optional trim

Compliant full width, open-fronted, overflow weir

Aesthetically pleasing appearance and proportions  
No overflow holes

Chute Lid required to seal parapet wall penetration  
Refer to Dam Buster Ancillary Products

Fixing lugs

Box gutter receiver (with in-built 1 in 200 fall)  
Provides a compliant seal with the box gutter to prevent leakage at the connection location

**RECTANGULAR VERSION**  
(CUT AWAY IMAGE)

Very high primary overflow capacity  
At least 16<sup>+</sup> L/s, all sizes

Easy to install with a high quality installation able to be achieved every time

Standard sizes of 200mm, 300mm, 400mm, 500mm & 600mm (Rectangular)  
Standard sizes of 200mm, 300mm & 400mm (Curved version)  
Adaptable to all box gutter sizes between standard sizes.  
Device and downpipe size combination selection based on flow rate (L/s).

**CURVED VERSION**



**CERTIFIED PRODUCT**  
(DAM BUSTER RAINHEAD)

For testing of the Overflow Performance of Dam Buster rectangular rainheads



**GOOD DESIGN AWARD WINNER**

**PRODUCT DESIGN**  
HARDWARE AND BUILDING  
DAM BUSTER RAINHEAD

28 October 2022

*"The Architectural Choice"*

For ordering, installation details and compliance documentation, visit

[www.dambuster.com.au](http://www.dambuster.com.au)



# Achieve Compliance with **Dam Buster Side Outlet & Rainhead** Combinations



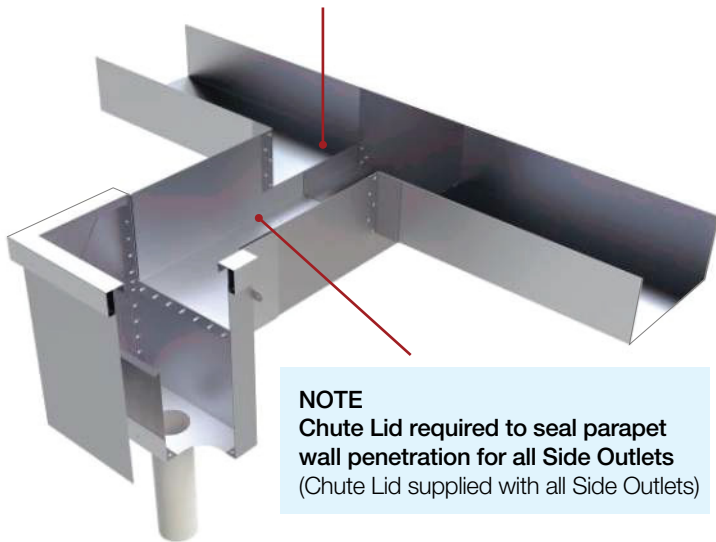
**NOTE:** All Dam Buster® products are protected by comprehensive Australian and International Patents.

An engineered and fully tested innovation allowing up to three box gutters designed for free flow in accordance with AS/NZS 3500.3 to discharge to a Dam Buster rainhead.

**Enables change of direction. Fully compliant with all volumes of the NCC.**

## Dam Buster **T** Side Outlet & Rainhead

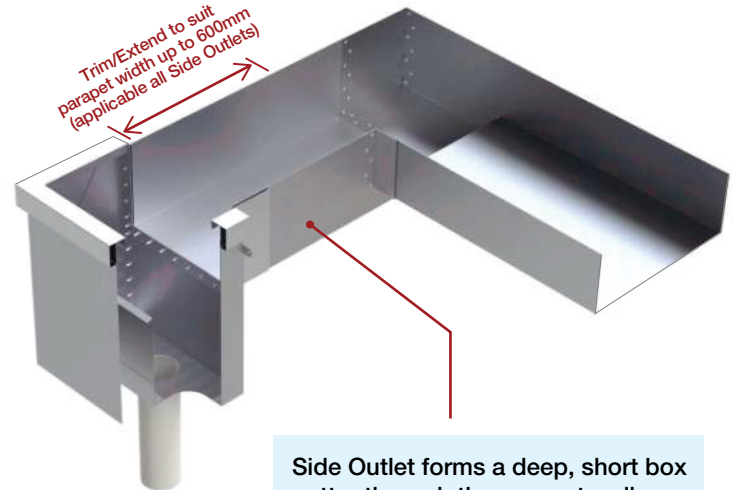
All Side Outlets fabricated in 2 sliding components to allow easy installation and to accommodate all box gutter widths between 200mm and 600mm  
Design using combined box gutter flows



**NOTE**  
Chute Lid required to seal parapet wall penetration for all Side Outlets  
(Chute Lid supplied with all Side Outlets)

## Dam Buster **END** Side Outlet & Rainhead

LH & RH forms available (LH as pictured)

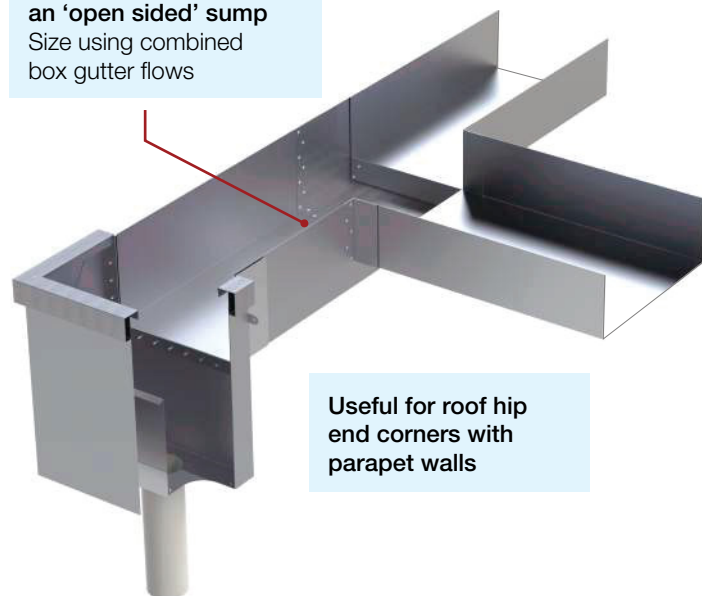


Side Outlet forms a deep, short box gutter through the parapet wall between the 'open sided sump' and the Dam Buster Rainhead

## Dam Buster **CORNER** Side Outlet & Rainhead

LH & RH forms available (LH as pictured)

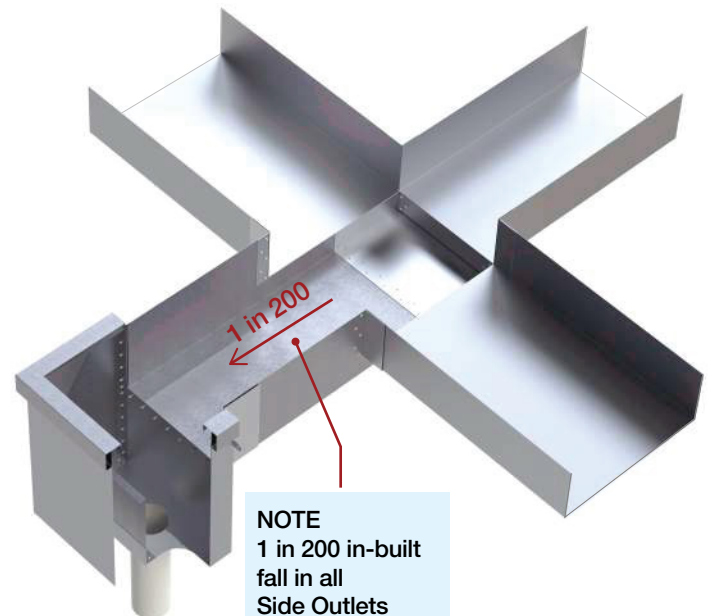
Box gutters discharge to an 'open sided' sump  
Size using combined box gutter flows



Useful for roof hip end corners with parapet walls

## Dam Buster **CRUCIFORM** Side Outlet & Rainhead

Allows 3 x box gutters to intersect and discharge to a single Dam Buster Rainhead. Size using combined box gutter flows.



**NOTE**  
1 in 200 in-built fall in all Side Outlets

*"The Architectural Choice"*

For ordering, installation details and compliance documentation, visit

[www.dambuster.com.au](http://www.dambuster.com.au)

**DAM BUSTER**

# Achieve Compliance with Dam Buster Sumps

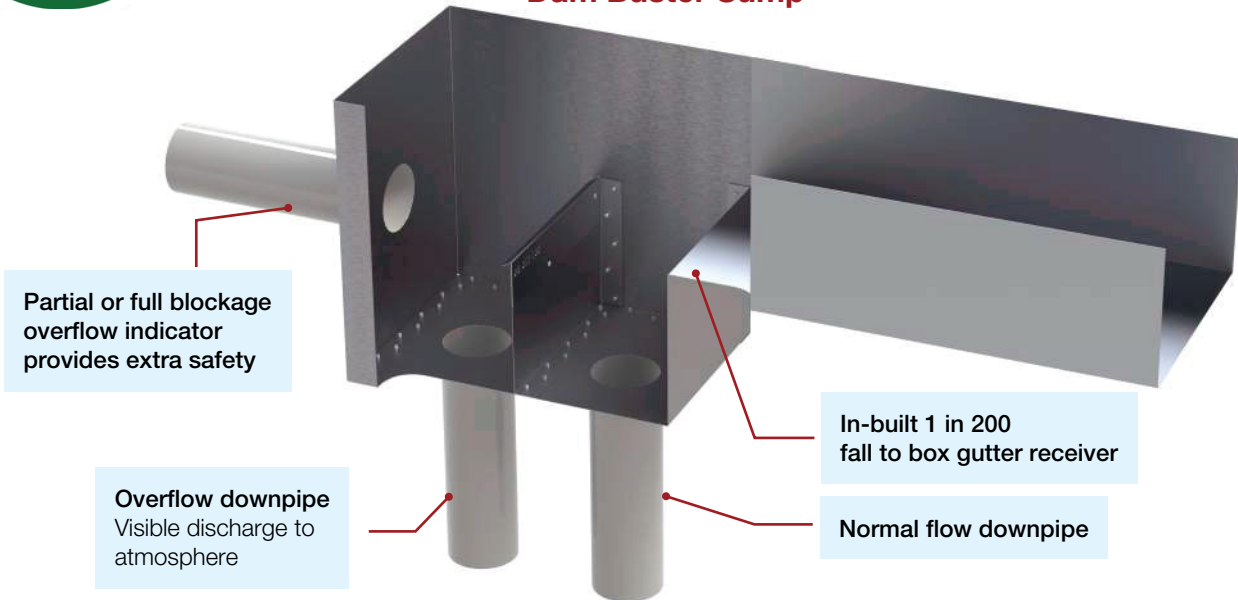


**NOTE:** All Dam Buster® products are protected by comprehensive Australian and International Patents.

An engineered and fully tested innovation providing a much simpler and more versatile alternative to the DTS Sump / High Capacity box gutter overflow device per AS/NZS 3500.3.

**Unique Free-flow Sump! Fully compliant with all volumes of the NCC.**

## Dam Buster Sump



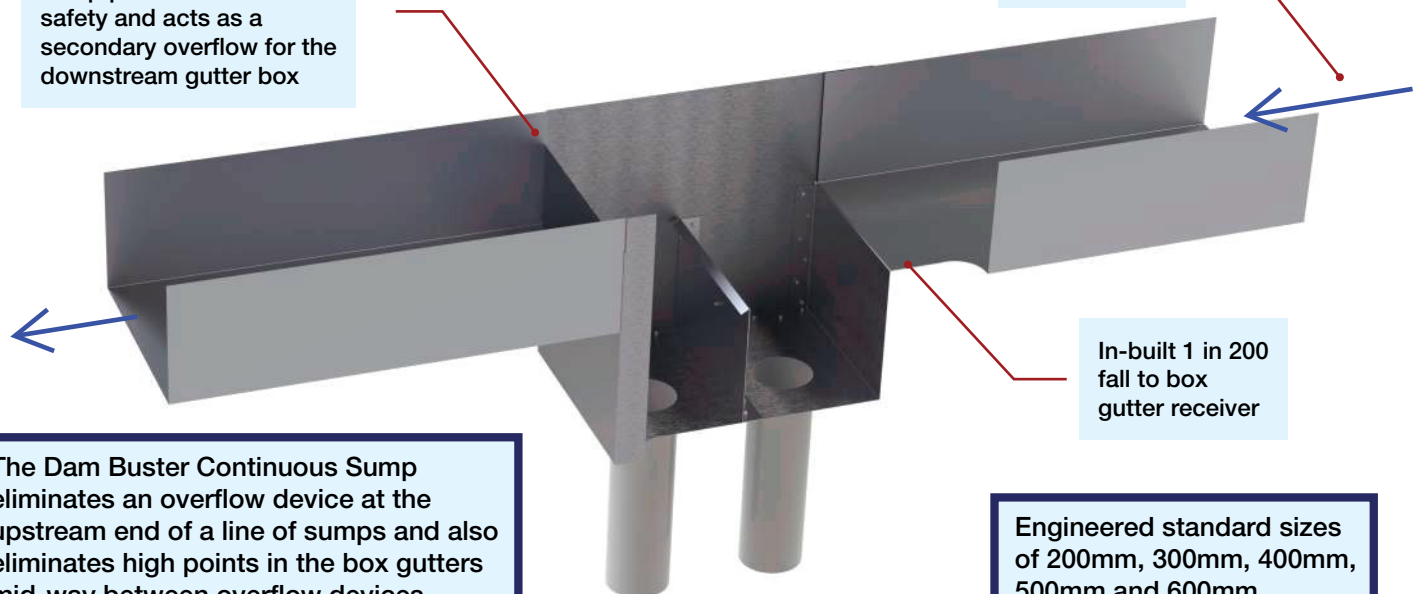
### Provides versatility in roof drainage design

For example, where a rainhead cannot be used above a door or window, a Dam Buster Sump may be able to be used in lieu of a rainhead

Cut down in rear wall of sump provides additional safety and acts as a secondary overflow for the downstream gutter box

## Dam Buster Continuous Sump

One way flow



The Dam Buster Continuous Sump eliminates an overflow device at the upstream end of a line of sumps and also eliminates high points in the box gutters mid-way between overflow devices

Engineered standard sizes of 200mm, 300mm, 400mm, 500mm and 600mm

28 October 2022

***"The Architectural Choice"***

For ordering, installation details and compliance documentation, visit

[www.dambuster.com.au](http://www.dambuster.com.au)



# Achieve Compliance with Dam Buster Elbows & Ancillary Products



**NOTE:** All Dam Buster® products are protected by comprehensive Australian and International Patents.

An engineered and fully tested innovation facilitating a change of direction in free flow box gutters, effectively achieved by discharging to a sump with one side wall fully open.

**Revolutionary Design Freedom! Fully compliant with all volumes of the NCC.**

## Dam Buster Elbows

LH & RH forms available (RH as pictured)

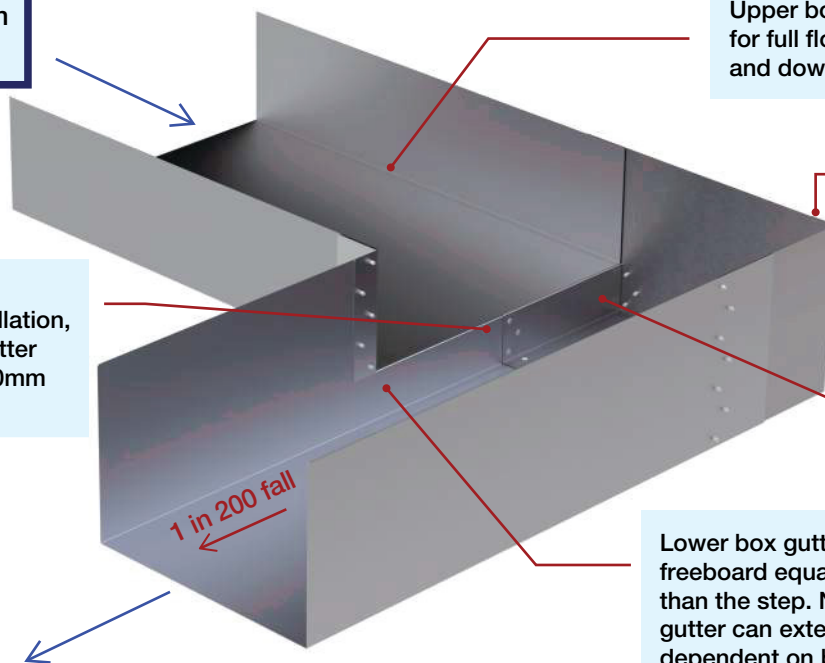
Engineered standard downstream box gutter sizes of 200mm, 300mm, 400mm, 500mm and 600mm (upstream adaptable)

Upper box gutter designed for full flow rate to upstream and downstream sections

90 degree change in direction achieved using an 'open-sided' sump

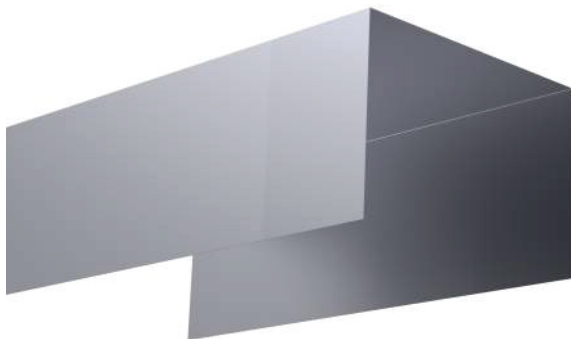
Elbow fabricated in 2 sliding components to allow easy installation, and to accommodate all box gutter widths between 200mm and 600mm  
In-built 1 in 200 fall

Step down in box gutter prevents back watering



Lower box gutter has additional freeboard equal to or greater than the step. Note: Lower box gutter can extend 8-10m dependent on box gutter width.

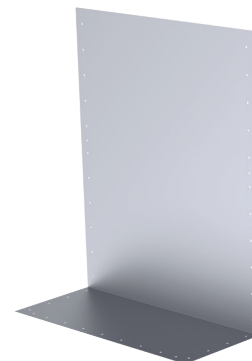
## Ancillary – Dam Buster Chute



Chute Lids seal parapet wall penetrations and are included with all Side Outlet orders.

Note: Chute Lids are sold separately if required with Rainhead only orders.

## Ancillary – Rainhead Rear Flat Panel



Rainheads can also be ordered with a flat rear panel instead of the standard box gutter receiver. This allows adaption to varying box gutter sizes and eaves gutters.